

ELEN0037

Microelectronics

Tutorials

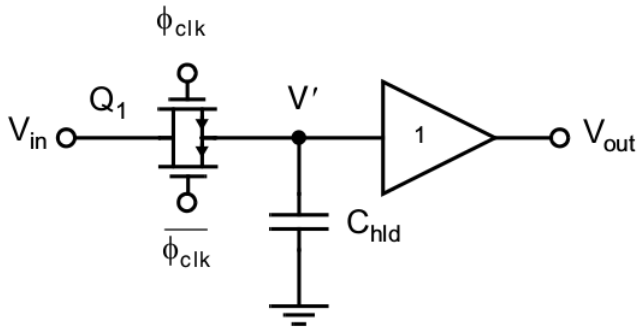
Vincent PIERLOT

University of Liège - Montefiore Institute
EMMI Unit: Electronics, Microsystems, Measurements, and Instrumentation

Tutorial 3: Sample and Holds, Switched-Capacitor circuits

Exercise 1 (1st, P8.2/2nd, P11.4)

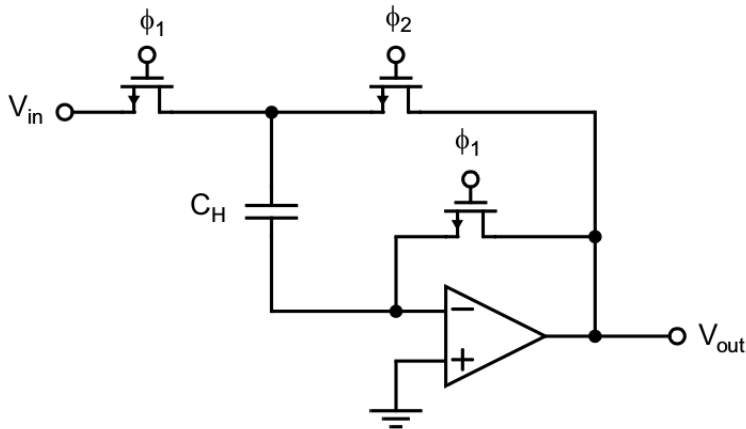
In the following S/H circuit, assume V_{in} is a 20 MHz sinusoid with a 2 V_{pp} amplitude. Also assume that ϕ_{clk} is a 100 MHz square wave having a peak amplitude of $\pm 2.5\text{ V}$ with rise and fall times of 1.5 ns . What is the maximum time difference between the turn-off times of the n-channel and p-channel transistors?¹ Ignore the body effect ($V_{tn} = 0.8\text{ V}$, $V_{tp} = -0.9\text{ V}$).



¹ $|\Delta\phi|_{max} = 2.1\text{ V}$, $\Delta t_{max} = 0.63\text{ ns}$

Exercise 2 (1st, P8.6/2nd, P11.8)

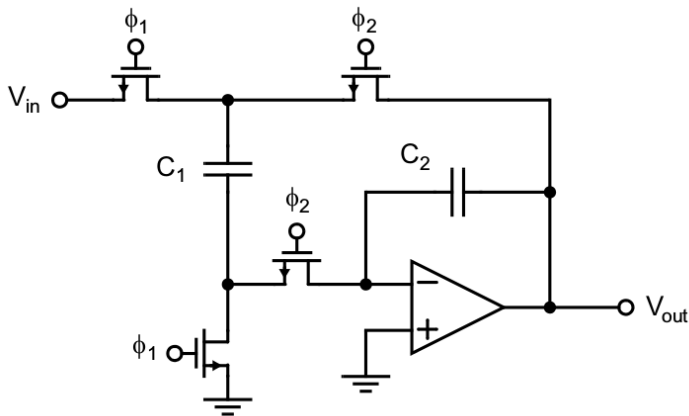
Assume the opamp of the following S/H circuit has a finite gain of A , and offset voltage V_{offset} . Derive the output voltage in terms of V_{in} , A , and V_{offset} during hold mode (i.e., when ϕ_2 is high).²



$$^2 V_{out} = \frac{A}{A+1} V_{in} + \frac{A}{(A+1)^2} V_{offset}$$

Exercise 3 (1st, P8.7/2nd, P11.9)

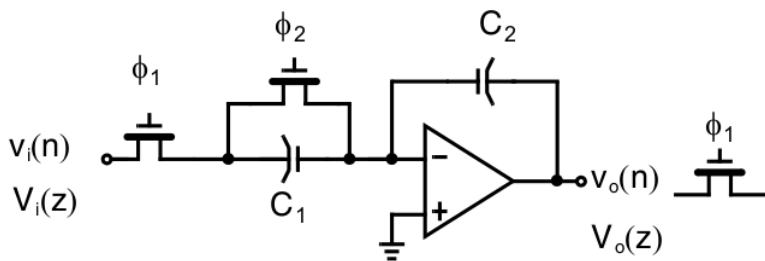
Derive the frequency-domain transfer function of the following S/H circuit (use $z = e^{j\omega T}$), and find the cut-off frequency f_{-3dB} . Make the assumption that $e^{j\omega T} \cong 1 + j\omega T$ for $\omega T \ll 1$.³



$$^3 H(z) = \frac{z^{-1}}{1 + C_2/C_1(1-z^{-1})}, \quad f_{-3dB} = \frac{1}{2\pi} \frac{C_1}{C_2} f_s$$

Exercise 4 (1st, P10.2/2nd, P14.4)

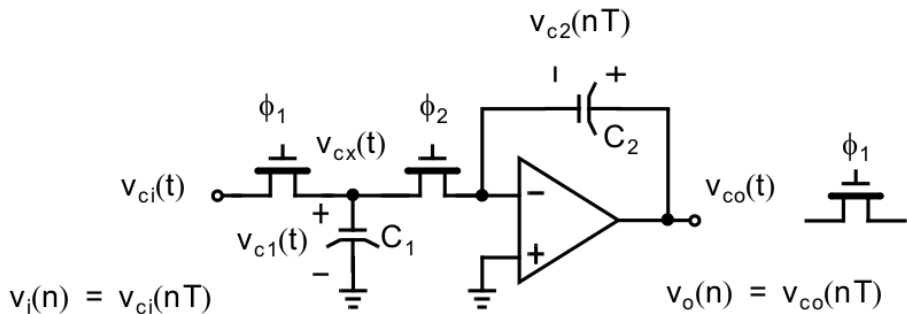
Ignoring the effect of parasitic capacitances, find the discrete-time transfer function of the following switched-capacitor circuit.⁴



⁴ $H(z) = - (C_1/C_2) \frac{1}{1-z^{-1}}$ (delay-free inverting integrator)

Exercise 5 (1st, P10.4/2nd, P14.6)

Compute the transfer function of the following discrete-time integrator, when the opamp has a finite gain of A .⁵ Also show that this transfer function has a DC gain of $-A$ and a pole that is located slightly to the left of 1.



$${}^5 H(z) = -\left(\frac{C_1}{C_2}\right) \left(\frac{A}{A+1}\right) \frac{z^{-1}}{1 - \left(1 - \frac{C_1}{C_2(A+1)}\right) z^{-1}}, \quad z_p = 1 - \frac{C_1}{C_2} \frac{1}{A+1} \lesssim 1$$