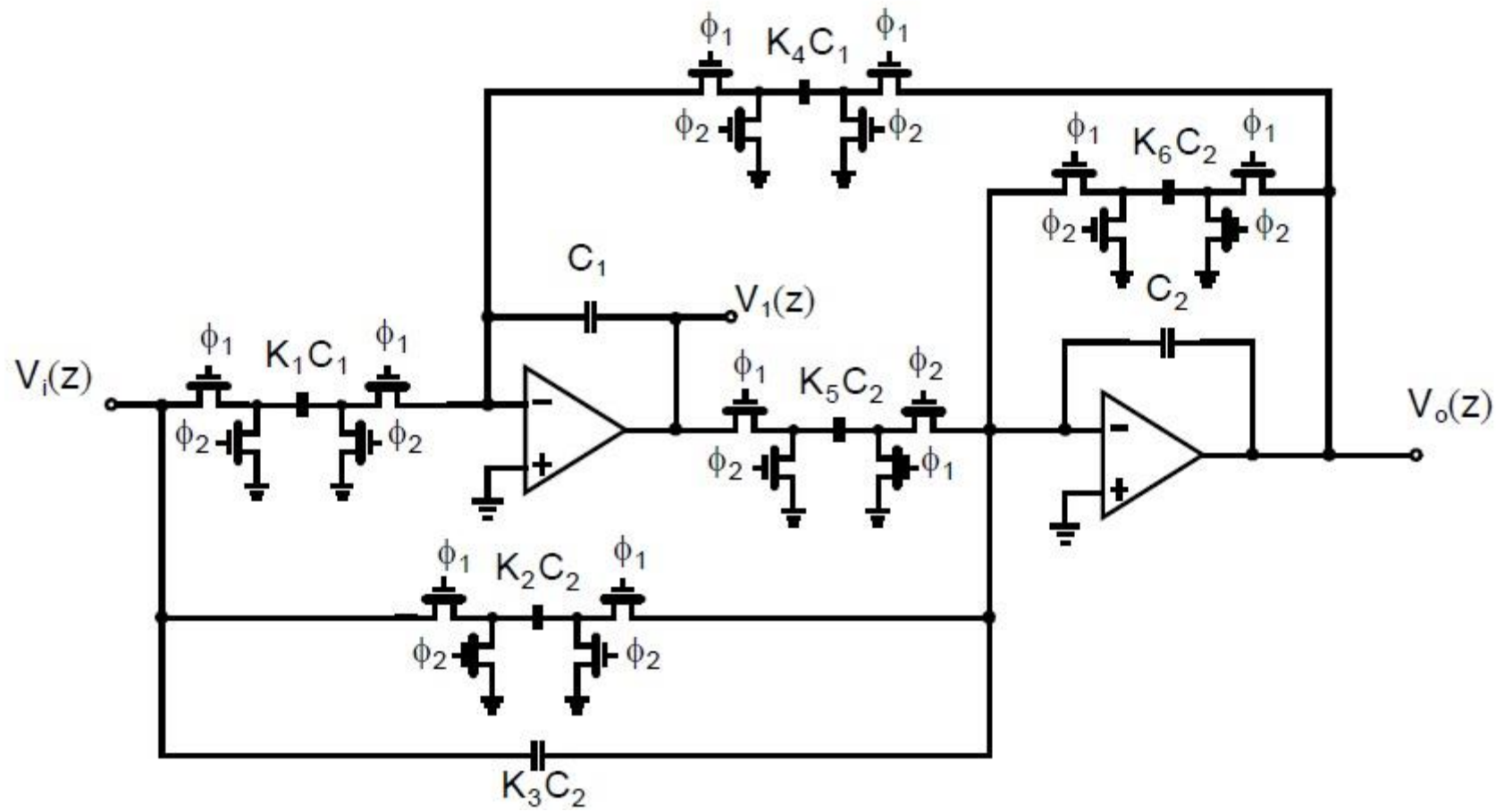
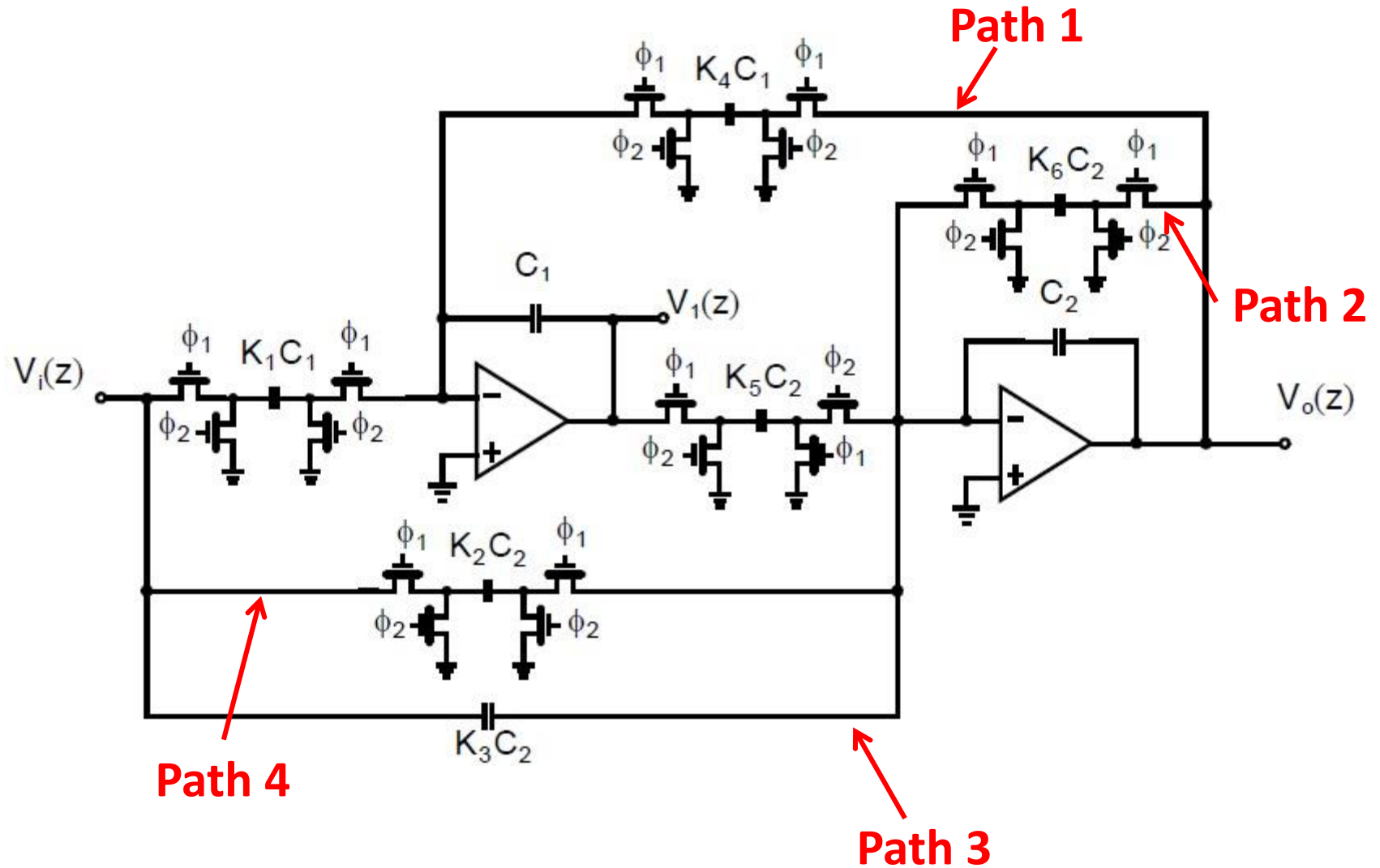


How to determine the correct directions in signal flow graph

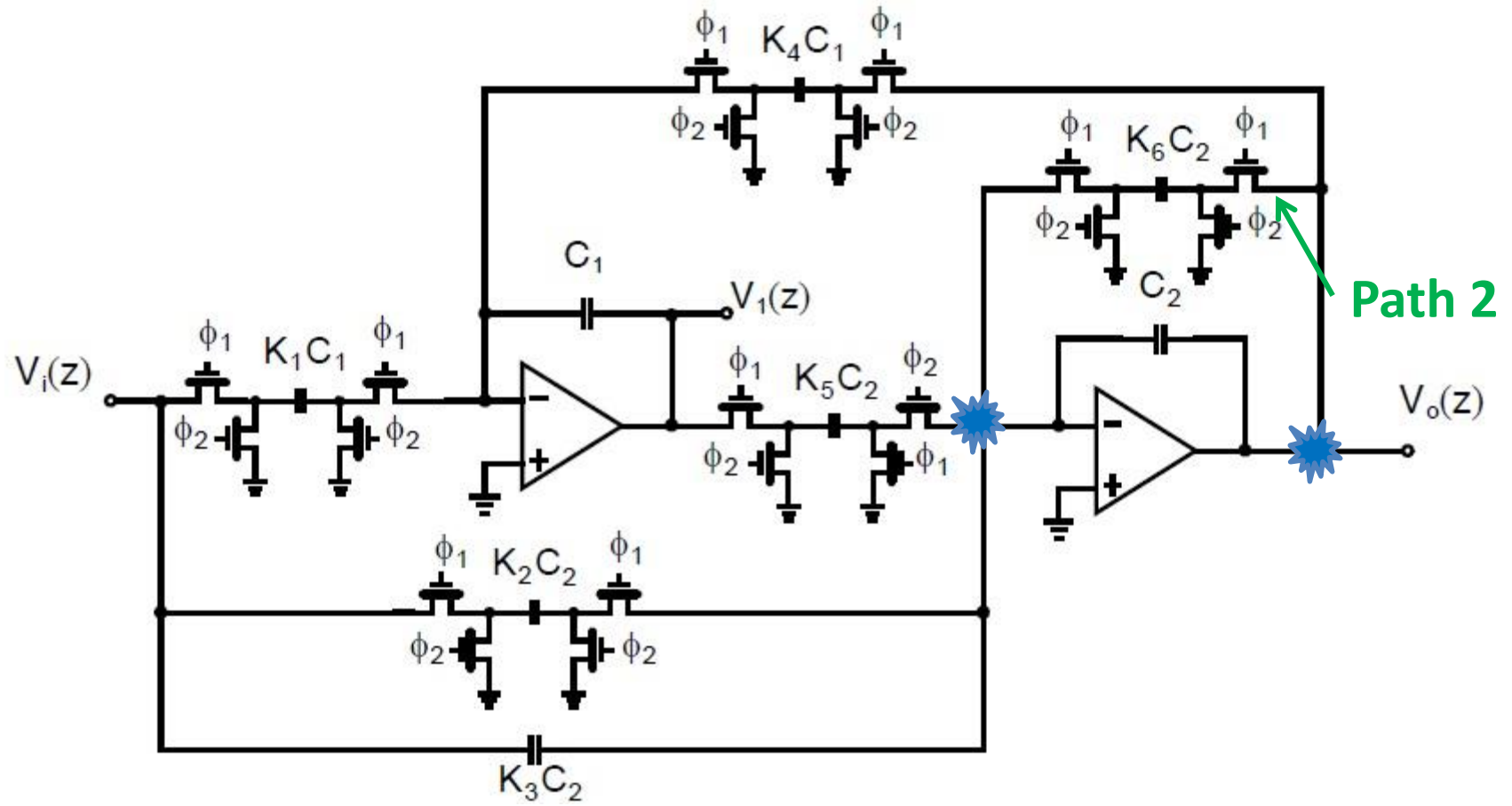


Determine the feedback paths

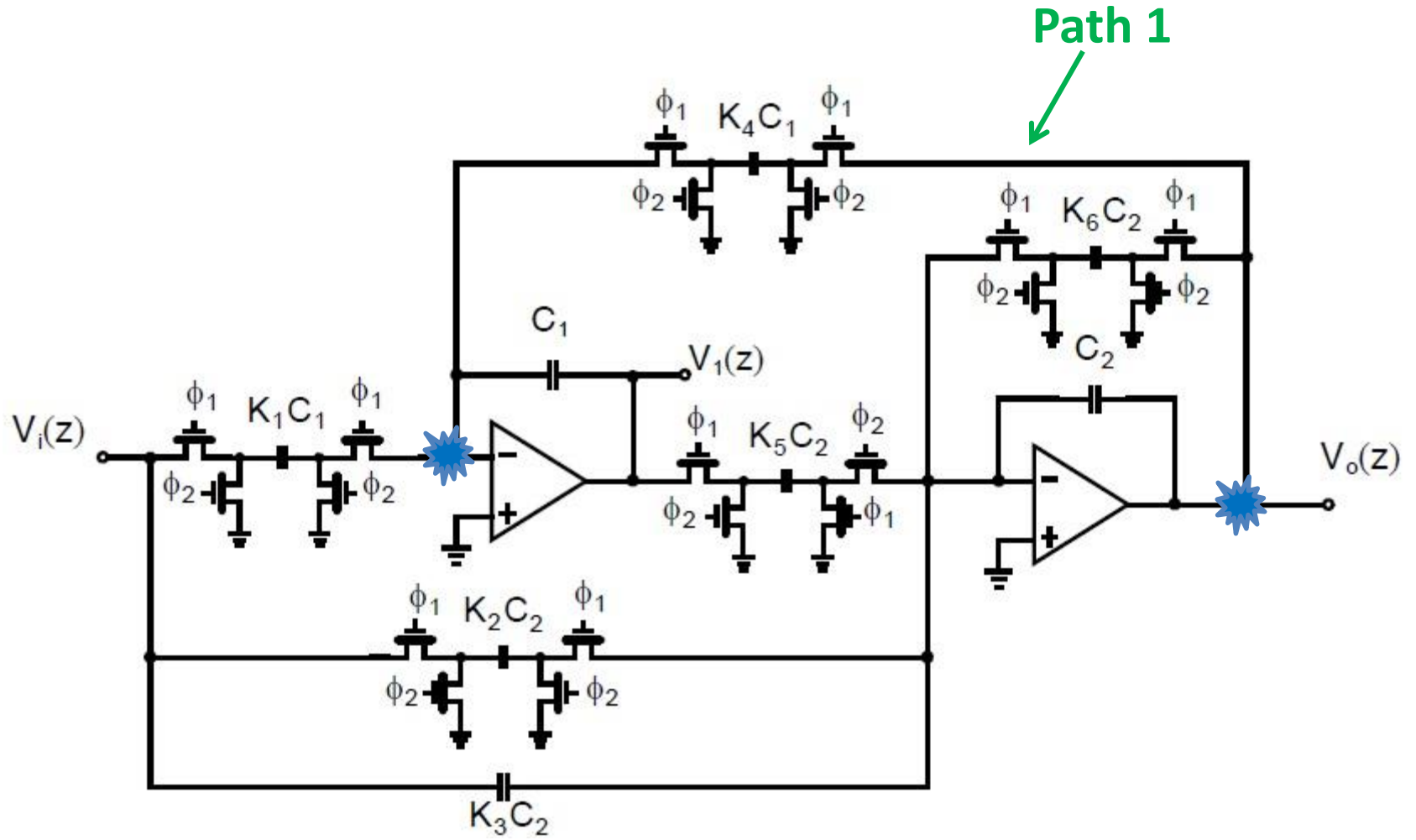


**Feedback path connects
the output of op-amp to its input
or input of other op-amp **directly** !**

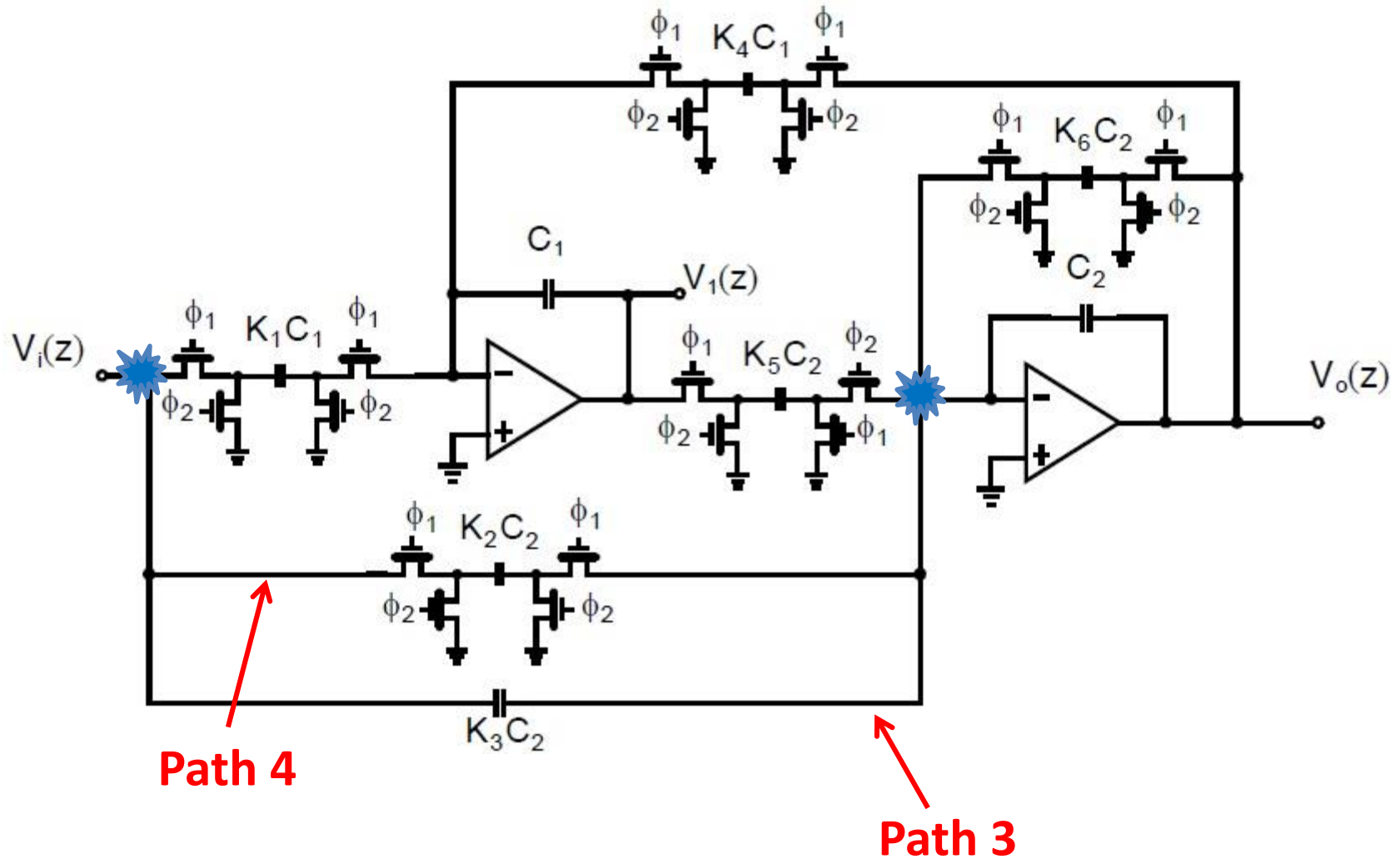
Path 2, is a feedback path



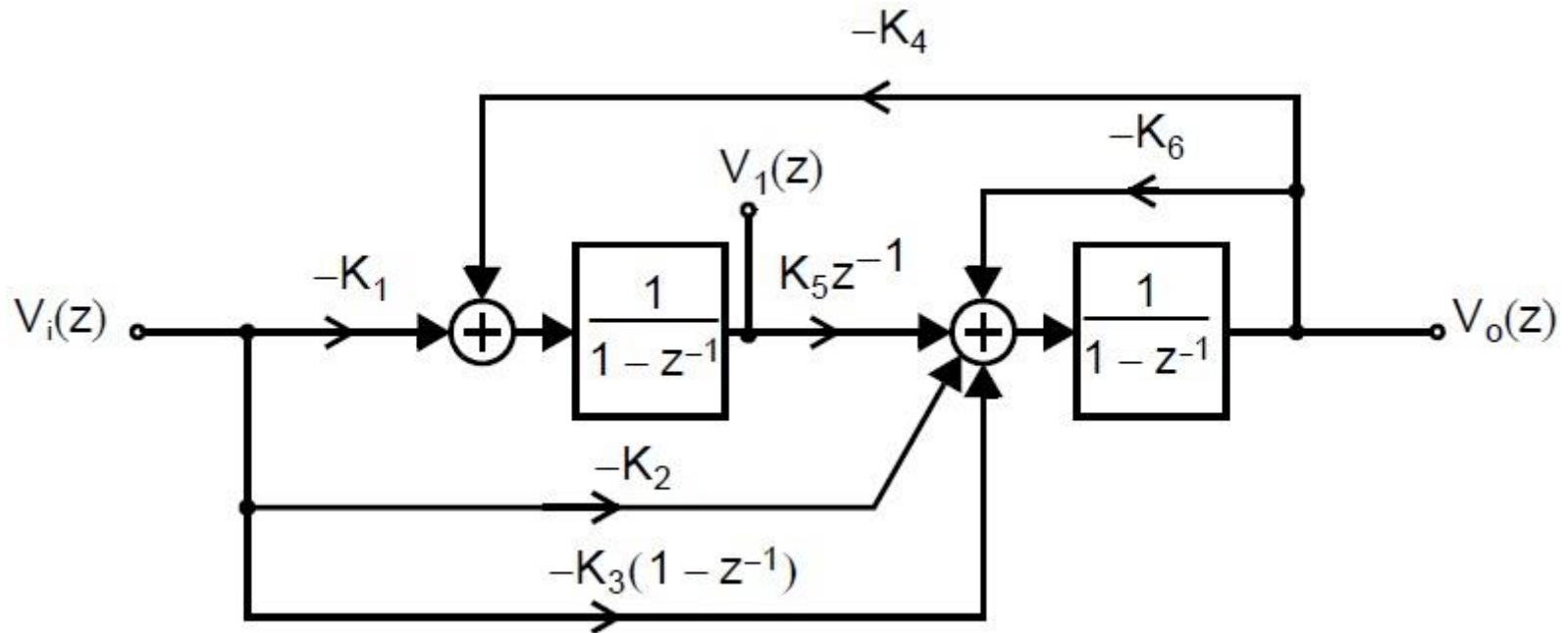
Path 1, is a feedback path



Paths 3 & 4 aren't feedback path



Signal flow graph



Correct directions without tossing a coin 😊